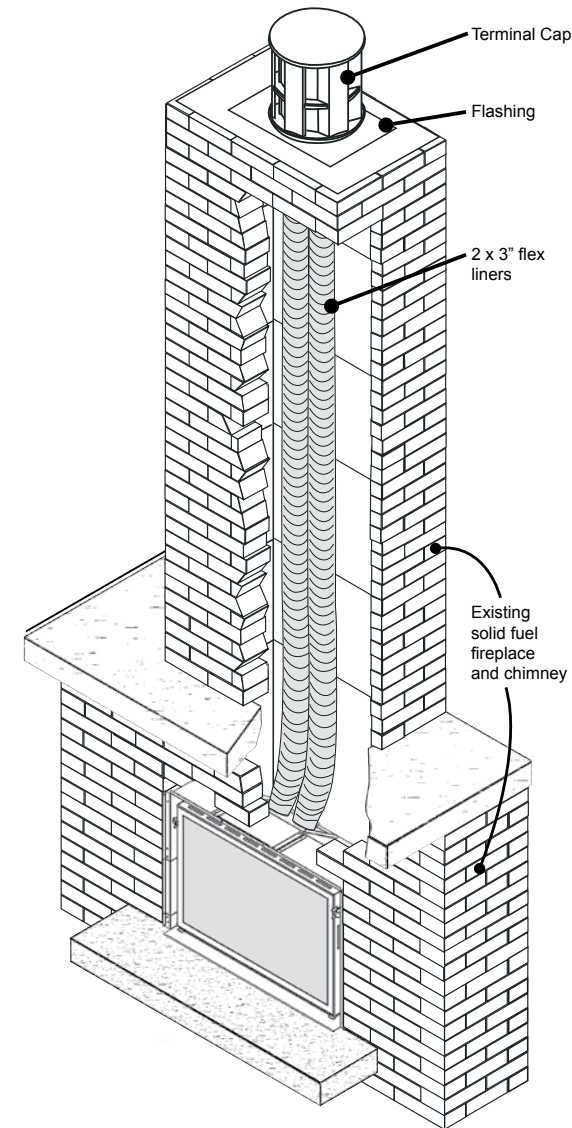


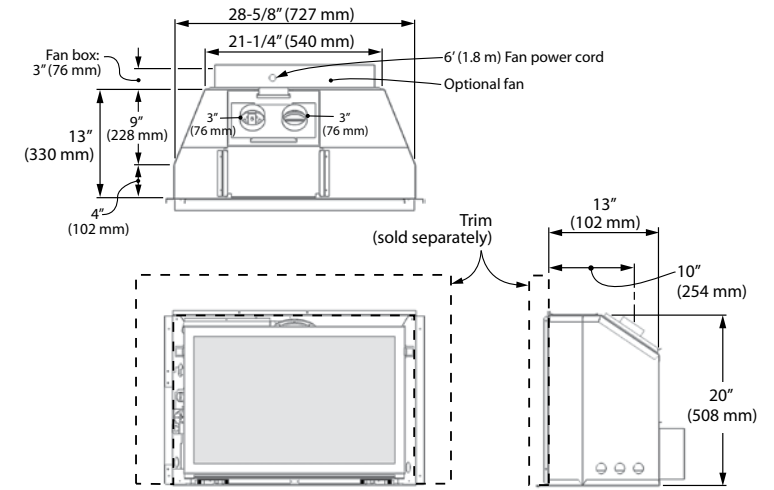


G3.5 DIRECT VENTING

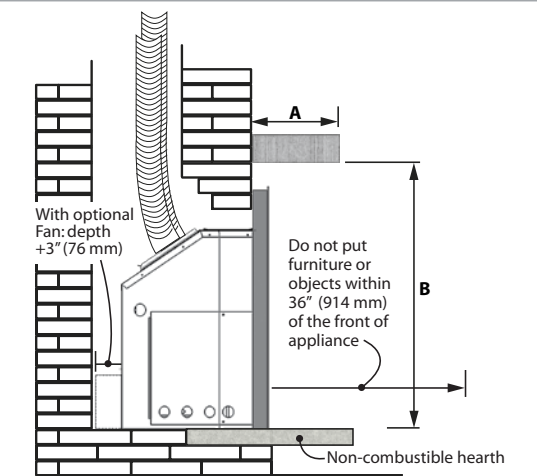


Please Note: The maximum vertical vent run for the Legend G3.5 is 40'.
The minimum is 10'.

G3.5 PRODUCT DIMENSIONS



G3.5 COMBUSTIBLE MANTEL CLEARANCES



Mantel Projection A	0-6" (0-152 mm)	8" (203 mm)	10" (254 mm)	12" (305 mm)
Mantel Height B*	33" (838 mm)	35" (890 mm)	37" (940 mm)	39" (990 mm)

*Measure taken from the underside of the mantel to finished hearth or surface that the unit is sitting on.

MODEL/FUEL	Model	Fuel	Burner	Max. Input BTU/hr	Min. Input BTU/hr	Log/Rock Set	Fan Option	EnerGuide P4 Rating**	AFUE**	Max. Output (w/out fan) BTU/hr **
	700IN	NG	Stainless	26,000	10,000	Log/Rock	Yes	66%	68%	19,240
	700IP	LPG	Stainless	25,000	11,000	Log/Rock	Yes	66%	68%	18,500

** EnerGuide Ratings and Outputs have been determined without a fan/blower, using the CSA P4.1-02 test method | CAN 1-2. 17 Gas Fired Appliances For Use at High Altitude
 ++ A.F.U.E. (Annual Fuel Use Efficiency) tested as per 10CFR - 430.23 | Certified to ANSI Z21.88 / CSA 2.33 Vented Gas Fireplace Heater Standard

702LSK Log Set Kit, 708VRL Valor Red Brick Liner, 709FTV Floating Trim Kit in Vintage Iron & 710BPB Backing Plate Kit in Black



Valor LEGEND G3.5 INSERTS

G3.5 FIREPLACE COMPONENTS

ENGINES	700IN	G3.5 - Stainless Burner - NG
	700IP	G3.5 - Stainless Burner - LPG
FUEL BEDS	701RSK	Rock Set Kit
	702LSK	Log Set Kit
LINERS	705LSL	Ledgestone Liner
	706EBL	Enamel Black Liner (Reflective)
	707FBL	Fluted Black Liner
	708VRL	Valor Red Brick Liner
TRIMS RISERS ACCESSORIES	709FTB	Floating Trim Kit - Black (23-5/8h X 33-3/4"w)
	709FTP	Floating Trim Kit - Brushed Nickel (23-5/8h X 33-3/4"w)
	709FTV	Floating Trim Kit - Vintage Iron (23-5/8h X 33-3/4"w)
	709FTZ	Floating Trim Kit - Bronze (23-5/8h X 33-3/4"w)
	710BPB	Backing Plate Kit - Black (26-7/8"h X 37-3/4w)
	714BPB	Backing Plate Kit - Black (29"h X 37-3/4"w)
	793RTB	Riser Trim - Black (2-1/2"h X 46"w)
	793RTV	Riser Trim - Vintage Iron (2-1/2"h X 46"w)
	795CFK	Circulating Fan Kit
	796ALP	Adjustable Leveling Platform
	GV60PAK	Power Adaptor Kit for the ValorStat Max

GLOWING CERAMIC ROOF PANEL

Due to the high efficiency compact nature of this product, you may notice some glowing on the ceramic roof panel (shown right). The amount of glow will vary slightly with different fuel effects and vent lengths and is unavoidable without sacrificing some efficiency. This glow will not impact the longevity of the appliance.



ABOUT OUR EFFICIENCY RATINGS

All Valor product literature is published using recognized Canadian and US government test methods for determining energy efficiency performance. This ensures our products will perform in your home as rated.

Beware of misleading "steady state" efficiency claims made by manufacturers using their own "in-house" test methods. For example - a large difference between an Energuide rating and a "steady state efficiency" may indicate misleading efficiency claims. Visit www.valorfireplaces.com for more information.

G3.5 LINERS

VALOR RED BRICK LINER



ENAMEL BLACK LINER



LEDGESTONE LINER



FLUTED BLACK LINER



A LEGEND IN THE MAKING

With over two decades of design innovation and four generations of Legend DNA, it's no surprise that the Legend G3.5 exudes radiance, high efficiency and the ultimate in comfort control. Clean trims and a large viewing area highlight warm, glowing flames. A contemporary update for existing spaces, the Legend G3.5 is our latest addition to the highly successful Legend Insert family.

RADIANT & CONVECTED HEAT

The G3.5 supplies a constant flow of both radiant heat and naturally convected warm air. Continuously warming objects in its path (including the human body), radiant heat satisfies your comfort needs with up to 25% less overall energy compared to forced air systems.

VALOR DYNAMIC RESTRICTOR TECHNOLOGY (VDRT)*

VDRT increases thermal efficiencies and automatically adjusts combustion air, continually maximizing fireplace performance. Another Valor first! *(Patents Pending)

NO POWER, NO PROBLEM

Engineered to circulate air through natural convection, the G3.5 is highly efficient without a fan - providing reliable heat, even during a power failure.



VALORSTAT MAX REMOTE CONTROL (Standard with Purchase)

Easily select, adjust and program the desired temperature that you want, saving energy and lowering your overall home heating costs.

Pilot On Demand: Turn your pilot light ON and OFF from the handheld remote for years of additional energy savings.

If the optional 795CFK Fan Kit is installed, the ValorStat Max provides full control turning the fan on and off, as well as adjusting the fan speed settings.

Energy Saving Feature: The Valor SmartPilot System automatically shuts down if there is no activity after 5 days, reducing unnecessary pilot gas consumption.

USE RADIANT HEAT SAFELY

Fireplace surfaces, in particular the glass viewing window, are extremely hot during operation and will remain hot for a period of time after the fireplace is turned off. Contact with the hot glass can cause severe burns. Close adult supervision is required if there are young children, or at-risk individuals in the house. As well, a physical barrier is strongly recommended. Install an approved aftermarket safety gate to keep toddlers, young children and at-risk individuals a safe distance from the fireplace.

For more information please visit www.valorfireplaces.com/safety.



FIREPLACE SAFETY

Build your own Legend G3.5 - design.valorfireplaces.com



701RSK - Rock Set Kit

706EBL Enamel Black Liner & 709FTB Floating Trim Kit in Black



701RSK - Rock Set Kit

707FBL Fluted Black Liner, 709FTP Floating Trim Kit in Brushed Nickel & 710BPB Backing Plate Kit in Black



701RSK - Rock Set Kit

706EBL Enamel Black Liner, 709FTV Floating Trim Kit in Vintage Iron & 714BPB Backing Plate Kit in Black

BUILD YOUR OWN LEGEND

Custom build your insert with our wide collection of trims, brick liners and fuel beds



702LSK - Log Set Kit

705LSL Ledgestone Liner & 709FTZ Floating Trim Kit in Bronze



702LSK - Log Set Kit

708VRL Valor Red Brick Liner, 709FTV Floating Trim Kit in Vintage Iron & 710BPB Backing Plate Kit in Black



702LSK - Log Set Kit

707FBL Fluted Black Liner, 709FTP Floating Trim Kit in Brushed Nickel & 714BPB Backing Plate Kit in Black



Displayed with Solus Handcast Concrete Decor - solusdecor.com